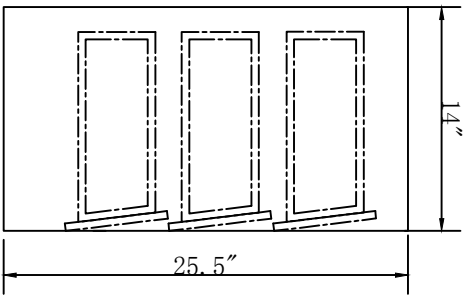
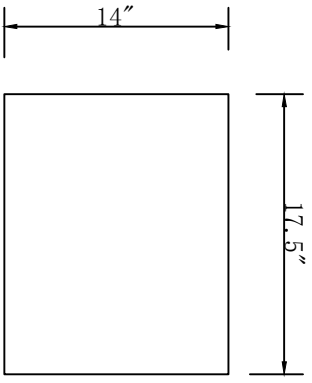


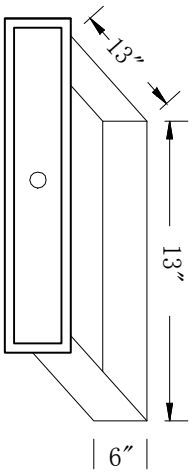
Front view



Side view



Top view



Drawer Interior Size

DWG. NO. :	
MODEL NO. :	MF92014
ALTERATIONS	
△1	
△2	
△3	
△4	

FOR PROPOSAL ONLY ALL DIMENSIONS TO BE VERIFIED

SCALE:	
DWG. BY:	
CHECKED BY:	
DATE:	Jan20th, 2018
PROJECT:	
Qty:	
Color:	
DRAWINGTITLE:	
FINISH:	



Model #	MF92014	Doors Included	NO	"table top maximum weight"	66LBS	safety stop	YES	Drawer Interior Depth"	12"
Finish	Clear	Number of Doors	0	Table: seating capacity	N/A	felt lined drawers	NO	cabinet interior width"	N/A
Hand Painted	Yes	Finished Back	YES	upholstery color	N/A	drawer glide extension	N/A	cabinet interior depth"	N/A
Mirror type	Clear Mirror	Hardware finish	Clear	upholstery pattern	N/A	drawer glide material	N/A	cabinet interior height"	N/A
Beveled glass	Yes	Assembly	NO	cushion material	N/A	drawer dividers	NO	leg height"	N/A
Frame material	MDF	Product Width"	17.5"	base finish	Silver	Drawer Interior finish	Black	leg width"	N/A
Solid wood construction	MDF	Product Depth"	14"	powder coated finish	No	Ball Bearing Glides	YES	leg depth"	N/A
Drawers Included	YES	Product Height"	25.5"	base material	MDF	soft close drawer glides	YES	gloss finish	NO
Number of Drawers	3	Package LENGTH"	22.4"	top material	Mirror	Number of cabinets	0	stackable	NO
Joinery Type	Butt Joint	Package WIDTH"	18.5"	wood species	MDF	shelf height"	N/A	leg design	N/A
Drawer railing	Metal	Package HEIGHT"	30.1"	tip over restraint strap	YES	shelf width"	N/A	Armoires: mg slots	N/A
Drawer Width"	13.5"	Package Weight(lbs)	69.4LBS	shape of top	Rectangle	shelf depth"	N/A	Armoires: hooks	N/A
Drawer Depth"	13"	Product Weight(lbs)	57.2LBS	lift top	NO	Shelf thickness	N/A	armoires: mirror dimensions	N/A
Drawer Height"	6"	Shipping Type	Small Parcel	shelf material	N/A	Any certification?	CARB	door thickness	N/A
Drawer Model	MF91014-DW1	"table top width"	17.5"	adjustable shelves	N/A	California Proposition 65 warning required	YES	false drawers?	NO
Shelves	NO	table top finish	Clear mirror	Drawer Handle designs	N/A	Drawers Interior Height"	5.5"	sink type	N/A
Number of Shelves	0	glass top tempered	NO	Door Knob Model	N/A	Drawer Interior Width"	12.5"	# of faucet holes	N/A

DWG. NO.

MODEL NO:MF92014

SPEC NO:

QUANTITY:

DATE:Jan20th,2018

CHECKED BY:

FOR PROPOSAL ONLY ALL DIMENSIONS TO BE VERIFIED

PROJECT:

COULR:

FINISH:

REVISIONS

▲	
▲	
▲	
▲	
▲	
▲	
▲	



500-550E, Erie Avenue Philadelphia PA 19134 1-888-388-3390